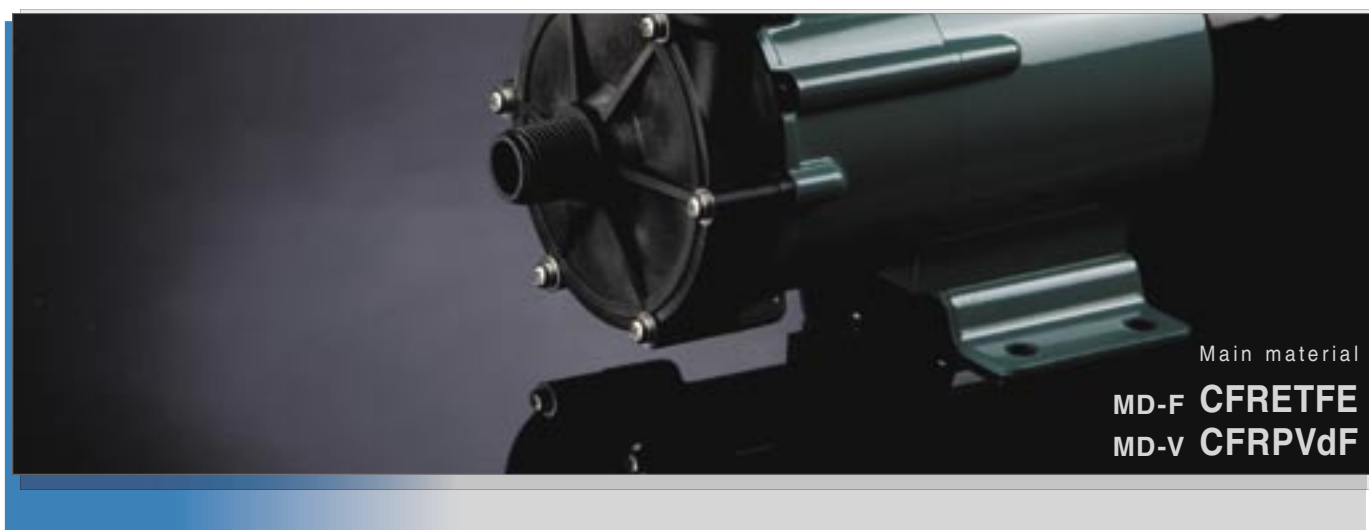


IWAKI

MD-F
MD-V
series

Magnetic drive pumps

A world's best-seller,
the high-end compact magnetic pumps



Magnetically-driven seal-less pumps are free from leak problems and the need of seal replacement.
Most chemicals can be handled including strong acid /alkaline.



Compliant with highly corrosive / viscous liquids High-end compact magnetic drive pumps

Most chemicals can be handled including strong acid/alkaline.



High corrosion-resistance

The combination of the MD-F series with CFRETFE wet ends and the MD-V series with CFRPVdF wet ends covers most chemicals including strong acid/alkaline.

Viscosity responsiveness

The MD-F series is designed to pump highly viscous liquids such as strong acid. Three types of impellers are selectable according to liquid viscosity.

MD-F



MD-15F



MD-30F



MD-55F



MD-100F

MD-15F(x/Y)·30F(x/Y)

- Max Discharge capacity **9 - 13** l/min
- Max Discharge head **3 - 8** m

MD-55F(x/Y)·100F(x/Y)

- Max Discharge capacity **60 - 125** l/min
- Max Discharge head **5.4 - 10.5** m



Leak free

Magnetically-driven seal-less pumps are free from leak problems and the need of seal replacement. This feature and its compact nature offer the best fit in built-in applications.

Easy maintenance

The pump unit is comprised of a small number of subunits, so that maintenance is significantly eased.

MD-V



MD-15RV



MD-20RZV



MD-30RV



MD-70RV

MD-15RV·20RZV·30(R/RZ)V

CFR
PVdF

- Max Discharge capacity **10 - 32** l/min
- Max Discharge head **2.4 - 8.0** m

MD-70(R/RZ)V

CFR
PVdF

- Max Discharge capacity **40 - 86** l/min
- Max Discharge head **6.7 - 14.3** m

A wide selection range according to chemical liquids

Hyperbaric/High-compression types are available.



Outline of the series (50Hz)

Main Material	Models	Max. discharge capacity (l/min)						Max. discharge head (m)			Limit of specific gravity
		20	40	60	80	100	120	140	5	10	
CFRETFE	MD-15FX Low S. G. type	10						4.1			1.2
	MD-15FY Middle S. G. type	9						3			1.9
	MD-30FX Low S. G. type	13						8			1.5
	MD-30FY Middle S. G. type	10						6			1.9
	MD-55FX Low S. G. type	65						7.8			1.3
	MD-55FY Middle S. G. type	60						5.4			2.0
	MD-100FX Low S. G. type	125						10.5			1.2
	MD-100FY Middle S. G. type	115						8.5			2.0
CFRPVdF	MD-15RV Standard type	16						2.4			1.3
	MD-20RZV High head type	10						4.9			1.1
	MD-30RV Standard type	32						3.8			1.3
	MD-30RZV High head type	15						8.0			1.1
	MD-70RV Standard type	86						6.7			1.0
	MD-70RZV High head type	40						14.3			1.0



Construction



Motor

Drive magnet

The 6- or 8-pole high power ferrite magnet drives the impeller over the rear casing.

O ring

Impeller

MD-F CFRETFE single-piece closed impeller.

Three impeller types (X/Y) are available according to specific gravity.



X: Low S.G. impeller

Y: Middle S.G. impeller

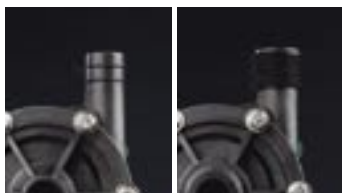
Spindle

Front casing

MD-F CFRETFE injection mold of the safety thread connection type

MD-V CFRPVdF hose connection is available as well as thread connection. Also union joints can be installed for the thread connection types.

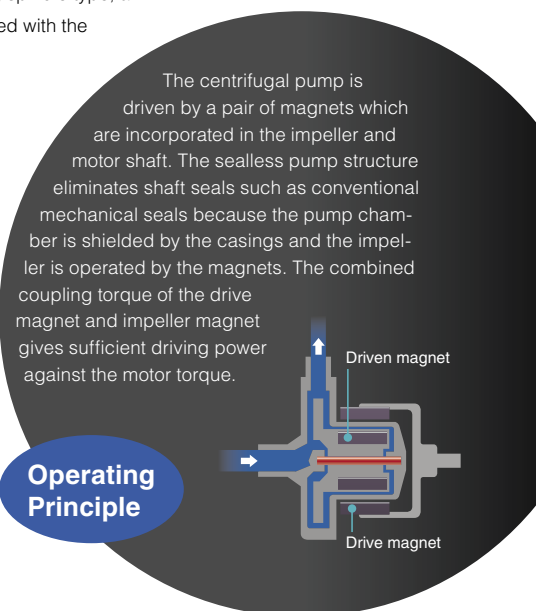
Note: For the 15RV, the thread connection type is not available.



Hose connection type

Threaded connection type

MD-V For the MD-V, the ferrite magnet is encapsulated into the CFRPVdF impeller. For the rotating spindle type, an alumina ceramic spindle is integrally molded with the impeller.



Operating Principle

MD-15F(x/Y)·30F(x/Y) CFR ETFE

- Range of Max. discharge capacity: 9 - 13 L/min
- Range of Max. discharge head: 3 - 8 m



MD-15F

MD-30F

Specifications (50Hz)

Model	Type of Impeller	Threaded connection Inlet/Outlet	Max. capacity (L/min)	Max. head (m)	S.G.	Output (W)	Input (W)	Power source	Mass (kg)
MD-15F	X	NPT1/2	10	4.1	1.2	10	30	220V - 240V Single phase	1.8
	Y		9	3	1.9	10	30		
MD-30F	X	NPT1/2	13	8	1.5	45	70		3.5
	Y		10	6	1.9	45	70		

- Temperature range: 0 - 80°C (Contact us for applications below zero.)
- Limit of viscosity: 30 mPa·s (at 1 S.G.)
- Ambient temperature: 0 - 40°C
- Motor type: Capacitor-run induction motor

Construction and materials

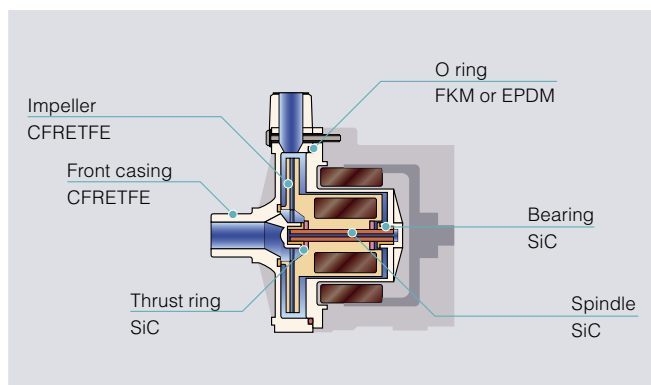
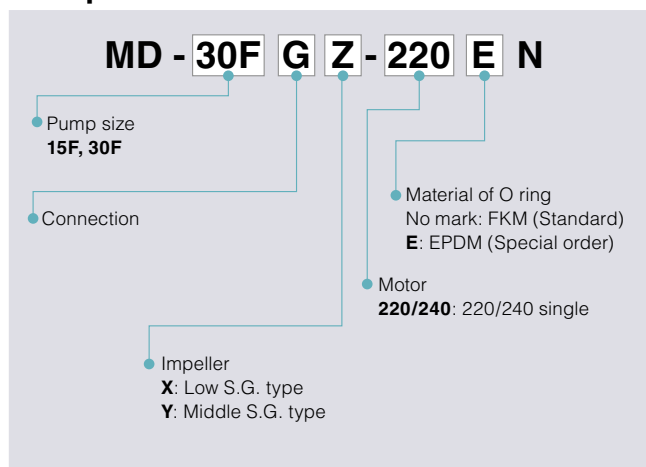
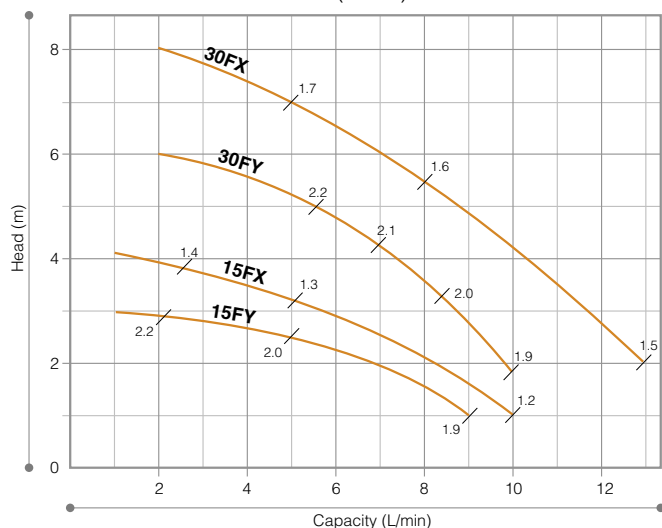


Illustration shows model MD-30F

Pump identification



Performance curves (50Hz)



Note: Figures on the performance curves shows the specific gravity limit at viscosity of 1mPa·s.

MD-55F(x/Y) • 100F(x/Y)

CFR
ETFE

- Range of Max. discharge capacity: 60 - 125 L/min
- Range of Max. discharge head: 5.4 - 10.5 m



MD-55F



MD-100F

Specifications (50Hz)

Model	Type of Impeller	Threaded connection Inlet/Outlet	Max. capacity (L/min)	Max. head (m)	S.G.	Output (W)	Input (W)	Power source		Mass (kg)
								Single phase	Three phase	
MD-55F	X	R1	65	7.8	1.3	90	170	220V - 240V	-	5.4
	Y		60	5.4	2.0	90	130			
MD-100F	X	R1	125	10.5	1.2	260	375		400V/440V	8.5
	Y		115	8.5	2.0	260	260			

• Temperature range: 0 - 80°C (Contact us for applications below zero.) • Limit of viscosity: 30 mPa·s (at 1 S.G.) • Ambient temperature: 0 - 40°C

Construction and materials

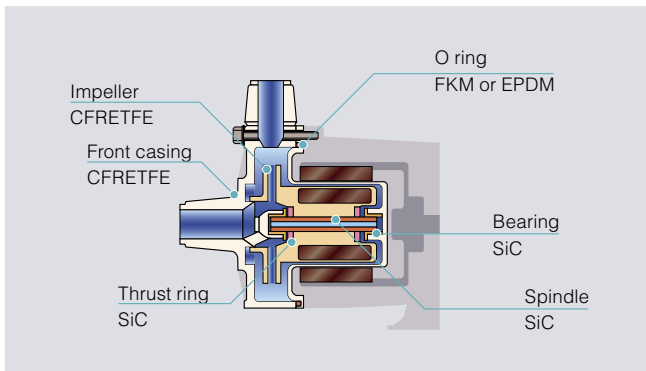
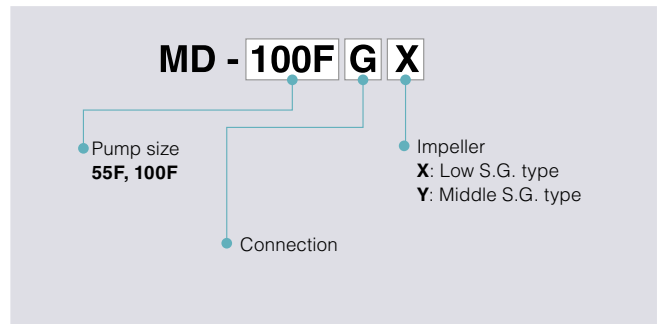


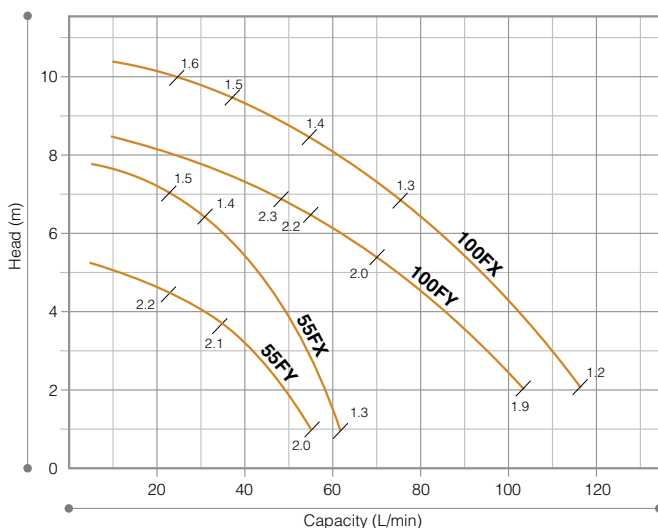
Illustration shows model MD-100F

Pump identification



Note: Specify the pump model and power specification at an inquiry phase.

Performance curves (50Hz)



Note: Figures on the performance curves shows the specific gravity limit at viscosity of 1mPa·s.

Available with IEC frame motors

This type of unit allows the pumps to be supplied with numerous motor options.



MD-15RV·20RZV·30(R/RZ)V

CFR
PVdF

- Range of Max. discharge capacity: 10 - 32 L/min
- Range of Max. discharge head: 2.4 - 8.0 m



MD-15RV

MD-20RZV

MD-30RV

Specifications (50Hz)

Model	Hose connection		Threaded connection		Max. capacity (L/min)	Max. head (m)	S.G.	Output (W)	Input (W)	Power source	Mass (kg)
	RV · RZV		RVM · RZV-M								
	Inlet (mm)	Outlet (mm)	Inlet/Outlet	Union (mm) ^(Note1)							
MD-15RV	14	14	-	13	16	2.4	1.3	10	26	220V - 240V Single phase	1.6
MD-20RZV	17.5	17	G3/4	13	10	4.9	1.1	20	40		2.0
MD-30RV	20	20	G3/4	16	32	3.8	1.3	45	60		3.5
MD-30RZV	17.5	17	G3/4	13	15	8.0	1.0	45	70		3.5

• Temperature range: 0 - 80°C (Contact us for applications below zero.) • Limit of viscosity: 30 mPa·s (at 1 S.G.) • Ambient temperature: 0 - 40°C
• Motor type: Capacitor-run induction motor

Note: The union field shows the nominal diameter of the applicable VP vinyl chloride hose. Heat resistance of the union is 0 - 55°C

Construction and materials

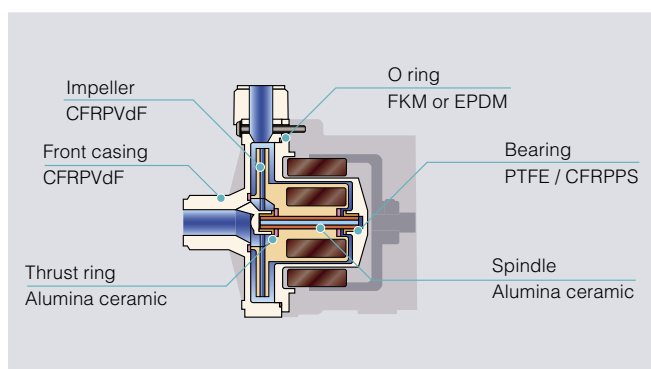
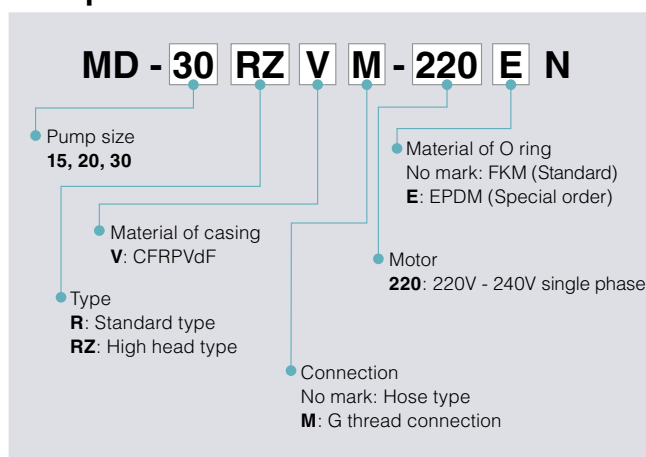


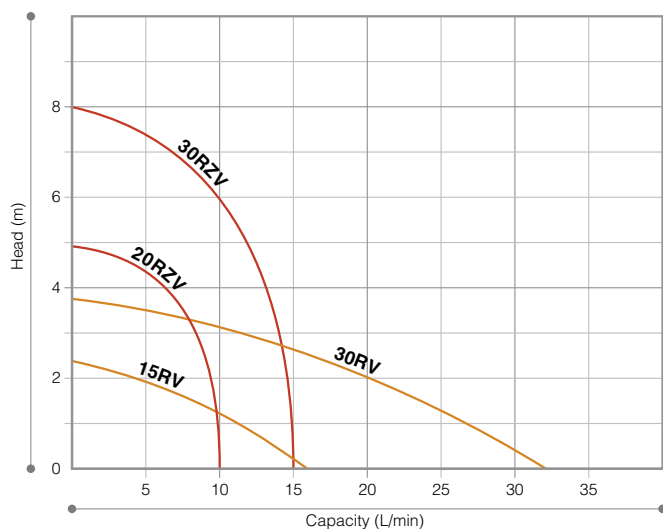
Illustration shows model MD-30RZV

Note: Material of bearing for MD-15RV, 20RZV and 30RV are CFRPPS

Pump identification



Performance curves (50Hz)



MD-70(R/RZ)V

CFR
PVdF

- Range of Max. discharge capacity: 40 - 86 L/min
- Range of Max. discharge head: 6.7 - 14.3 m



MD-70RV

Specifications (50Hz)

Model	Hose connection		Threaded connection		Max. capacity (L/min)	Max. head (m)	S.G.	Output (W)	Input (W)	(Note2) Power source	Mass (kg)
	RV - RZV		RVM - RZV-M								
	Inlet (mm)	Outlet (mm)	Inlet/Outlet	Union (mm) ^(Note1)							
MD-70RV	26	26	G1	20	86	6.7	1.0	150	235	220/240V : Single Phase 400/440V : Three phase	6.0
MD-70RZV	20	20	G3/4	16	40	14.3	1.0	180	275		6.0

• Temperature range: 0 - 80°C (Contact us for applications below zero.) • Limit of viscosity: 30 mPa-s (at 1 S.G.) • Ambient temperature: 0 - 40°C

Note: The union field shows the nominal diameter of the applicable VP vinyl chloride hose. Heat resistance of the union is 0 - 55°C

Construction and materials

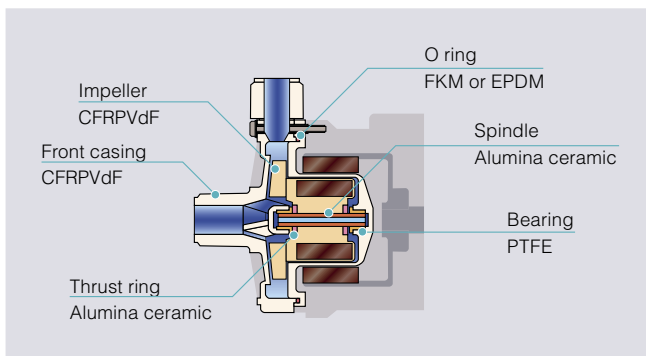
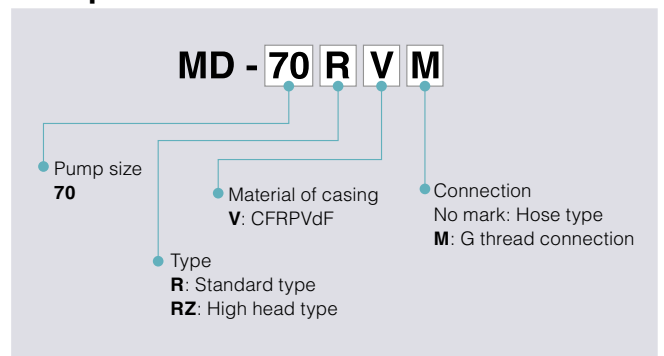


Illustration shows model MD-70RV

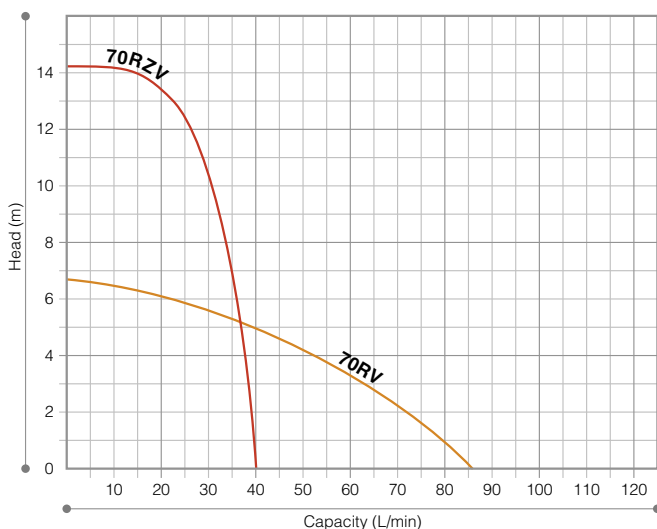
Note: Material of bearing for MD-70RZV is CFRPPS

Pump identification



Note: Specify the pump model and power specification at an inquiry phase.

Performance curves (50Hz)



Special accessories

• Union joint

Special-purpose union joints are available to cope with three types (13mm, 16mm and 20mm dia.) of piping. Tight sealing O-rings are used to prevent thread damage caused by over-tightening.



Specifications

Model	13A	16A	20A
Material	PVC	PVC	PVC
Range of temp.	0 - 55°C	0 - 55°C	0 - 55°C
Material of O ring	FKM or EPDM		

Dimensions (mm)

MD-F

MD-15F, 30F

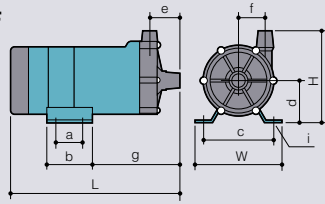


Illustration shows MD-30F

Model	W	H	L	a	b	c	d	e	f	g	i
MD-15F	95	120	186	-	50	68	55	34	29	99	2 - ϕ 5.6
MD-30F	120	130	231	40	64	100	60	39	39	120	4 - ϕ 9

MD-55F, 100F

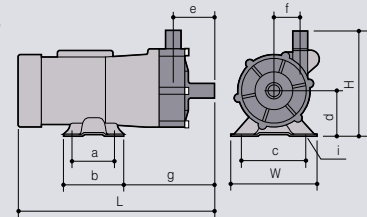


Illustration shows MD-100F

Model	W	H	L	a	b	c	d	e	f	g	i
MD-55F	120	155	270	40	64	100	65	59	40	167	4 - ϕ 9
MD-100F	156	175	320	70	100	110	75	63	43	145	4 - 9x27

MD-V

MD-15RV, 30RV, 70RV

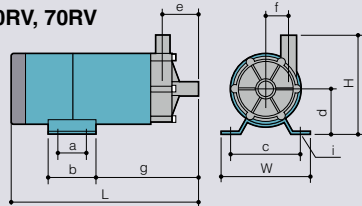


Illustration shows MD-30RV

Model	W	H	L	a	b	c	d	e	f	g	i
MD-15RV	95	109	180	-	50	68	55	39	22	92	2 - ϕ 5.6
MD-30RV	120	130	248	40	64	100	60	48	31	137	4 - ϕ 9
MD-70RV	130	155	258	40	60	110	65	53	43	149	4 - 7x11

MD-20RZV, 30RZV, 70RZV

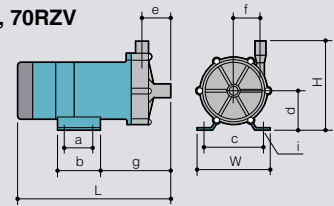


Illustration shows MD-20RZV

Model	W	H	L	a	b	c	d	e	f	g	i
MD-20RZV	106	125	211	44	60	90	55	40	39	98	4 - 6x10
MD-30RZV	120	130	230	40	64	100	60	40	39	120	4 - ϕ 9
MD-70RZV	130	165	247	40	60	110	65	42	48	138	4 - 7x11

www.iwakipumps.jp

IWAKI CO.,LTD. 6-6 Kanda-Sudacho 2-chome Chiyoda-ku Tokyo 101-8558 Japan TEL : (81)3 3254 2935 FAX : 3 3252 8892

EUROPE / U.S.A.

European office :	IWAKI Europe GmbH	TEL: (49)2154 9254 0	FAX: 2154 9254 48
Austria :	IWAKI (Austria) GmbH	TEL: (41)26 674 93 00	FAX: 26 674 93 02
Belgium :	IWAKI Belgium N.V.	TEL: (32)13 67 02 00	FAX: 13 67 20 30
Denmark :	IWAKI Nordic A/S	TEL: (45)48 24 2345	FAX: 48 24 2346
Finland :	IWAKI Suomi Oy	TEL: (358)9 2745810	FAX: 9 2742715
France :	IWAKI France S.A.	TEL: (33)1 69 63 33 70	FAX: 1 64 49 92 73
Germany :	IWAKI Europe GmbH	TEL: (49)2154 9254 50	FAX: 2154 9254 55
Holland :	IWAKI Holland B.V.	TEL: (31)297 241121	FAX: 297 273902
Italy :	IWAKI Italia S.R.L.	TEL: (39)02 990 3931	FAX: 02 990 42888
Norway :	IWAKI Norge AS	TEL: (47)66 81 16 60	FAX: 66 81 16 61
Spain :	IWAKI Iberica Pumps, S.A.	TEL: (34)943 630030	FAX: 943 628799
Sweden :	IWAKI Sverige AB	TEL: (46)8 511 72900	FAX: 8 511 72922
Switzerland :	IWAKI (Schweiz) AG	TEL: (41)26 674 93 00	FAX: 26 674 93 02
U.K. :	IWAKI Pumps (UK) Ltd.	TEL: (44)1743 231363	FAX: 1743 366507
U.S.A. :	IWAKI America Inc.	TEL: (1)508 429 1440	FAX: 508 429 1386

ASIA / OCEANIA

Australia :	IWAKI Pumps Australia Pty Ltd.	TEL: (61)2 9899 2411	FAX: 2 9899 2421
China :			
Hong Kong :	IWAKI Pumps Co., Ltd.	TEL: (852)2607 1168	FAX: 2607 1000
Shanghai :	IWAKI Pumps (Shanghai) Co., Ltd.	TEL: (86)21 6272 7502	FAX: 21 6272 6929
Guangzhou :	GFTZ IWAKI Engineering & Trading Co., Ltd.	TEL: (86)20 8435 0603	FAX: 20 8435 9181
Beijing :	GFTZ Iwaki Engineering & Trading Co., Ltd. (Beijing office)	TEL: (86)10 6442 7713	FAX: 10 6442 7712
Korea :	IWAKI Korea Co., Ltd.	TEL: (82)2 2630 4800	FAX: 2 2630 4801
Malaysia :	IWAKIm Sdn. Bhd.	TEL: (60)3 7803 8807	FAX: 3 7803 4800
Singapore :	IWAKI Singapore Pte Ltd.	TEL: (65)6316 2028	FAX: 6316 3221
Indonesia :	IWAKI Singapore (Indonesia Branch)	TEL: (62)21 6906606	FAX: 21 6906612
Taiwan :	IWAKI Pumps Taiwan Co., Ltd.	TEL: (886)2 8227 6900	FAX: 2 8227 6818
Thailand :	IWAKI (Thailand) Co., Ltd.	TEL: (66)2 322 2471	FAX: 2 322 2477
Vietnam :	IWAKI Pumps Vietnam Joint Venture Co., Ltd.	TEL: (84)613 933456	FAX: 613 933399

()Country codes

Caution for safety use: Before use of pump, read instruction manual carefully to use the product correctly.

Actual pumps may differ from the photos. Specifications and dimensions are subject to change without prior notice. For further details please contact us.