

IWAKI



MDW
series

Magnetic drive pumps

Max. flow capacity of 300m³/hr and max. discharge head of 98m.
The world's largest class fluoroplastic magnetic drive pump.



The MDW series are the largest class fluoroplastic magnetic drive pumps in the world, offering high efficiency and durability for chemical process applications.



Max. flow capacity of 300m³/hr and max. discharge head of 98m.
The world's largest class fluoroplastic magnetic drive pump.

The MDW series are the largest class fluoroplastic magnetic drive pumps in the world, offering high efficiency and durability for chemical process applications. Using larger motors for even higher output, the MDW series opens up performance potential in previously unexplored areas.

Application example

- Chemical transfer between supply tanks and through chemical process equipment.
- Chemical recirculation for filtration and heat exchange applications.
- Scrubber liquid recirculation.
- Replacements for conventional sealed pumps.



MDW100



High discharge capacity, High head and high efficiency

The heavy-duty MDW is capable of a maximum discharge capacity of 300m³/hr and max. discharge head of 98m, enabling applications in previously unexplored areas with a wide range of liquid specific gravities.

Highly chemically resistant

Fluoroplastic and fine ceramic wetted parts offer high resistance to virtually every industrial chemical, irrespective of concentration.

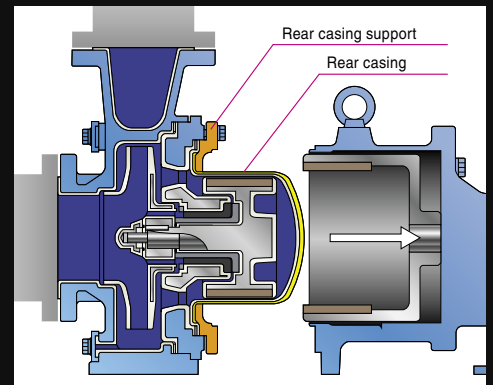
Robust structure

Use of the high strength ductile cast iron external armour is mandatory for heavy duty chemical process applications. High casing pressure resistance is achieved with a unique rear casing design preventing stress concentration and incorporating a triple-layer structure (PAT). A special metal shaft is used on the MDW to withstand high radial forces and allow continuous extended operation even under harsh service conditions.



Back pullout system

The back pullout system allows easy maintenance and inspection without removing pipework. Integrated components and a sealed rear casing support structure enable motor removal safely without chemical leakage.

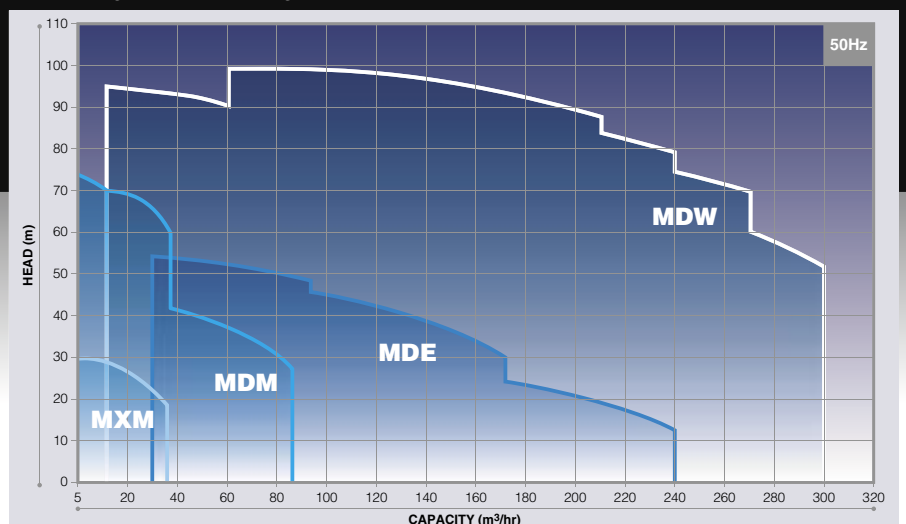


ISO compliant

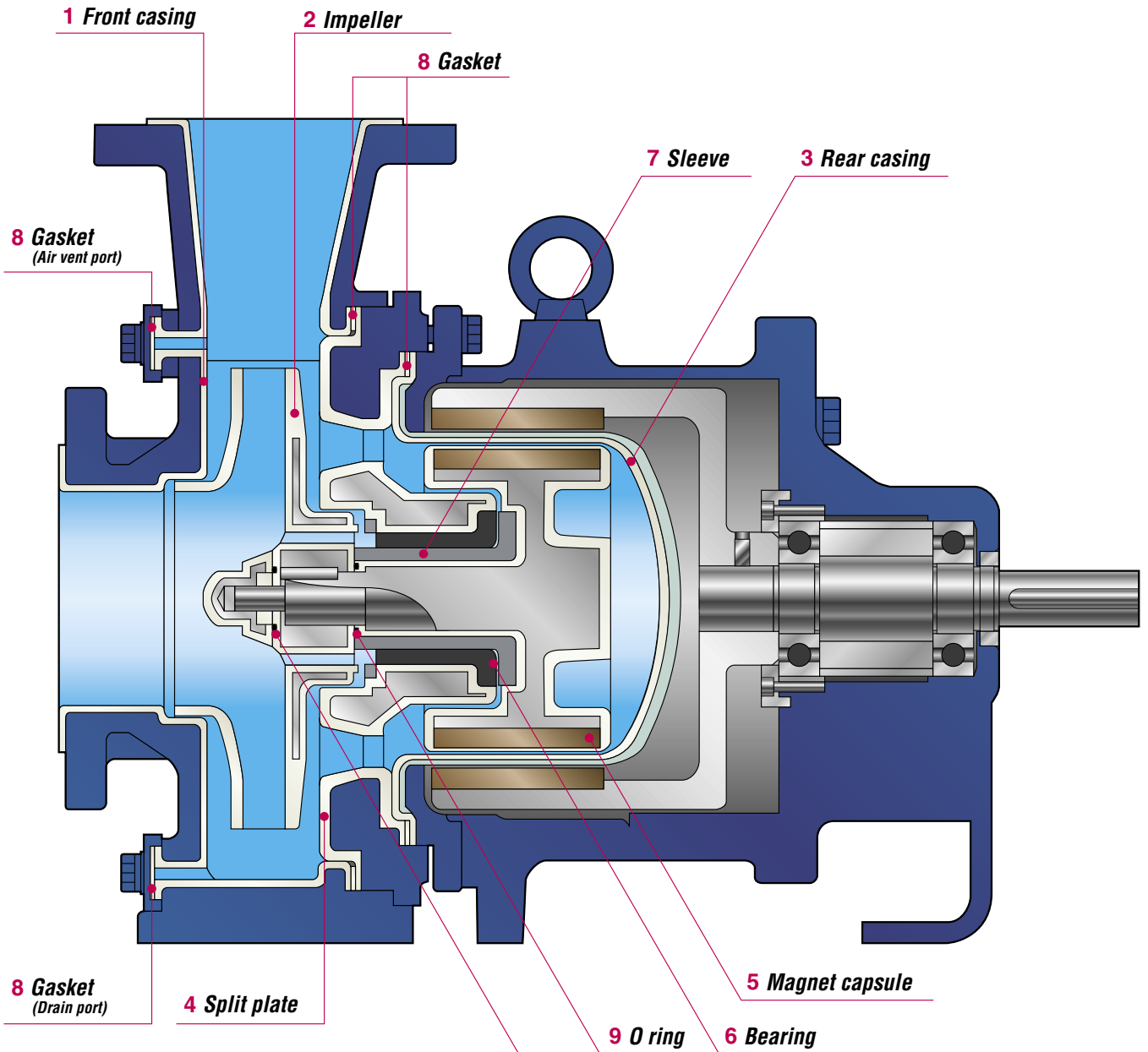
The MDW is dimensionally compliant with the international standard (ISO2858, 3661) and is interchangeable with conventional sealed centrifugal pumps.

Performance curves

(Flow range of IWAKI Magnetic drive process pumps)



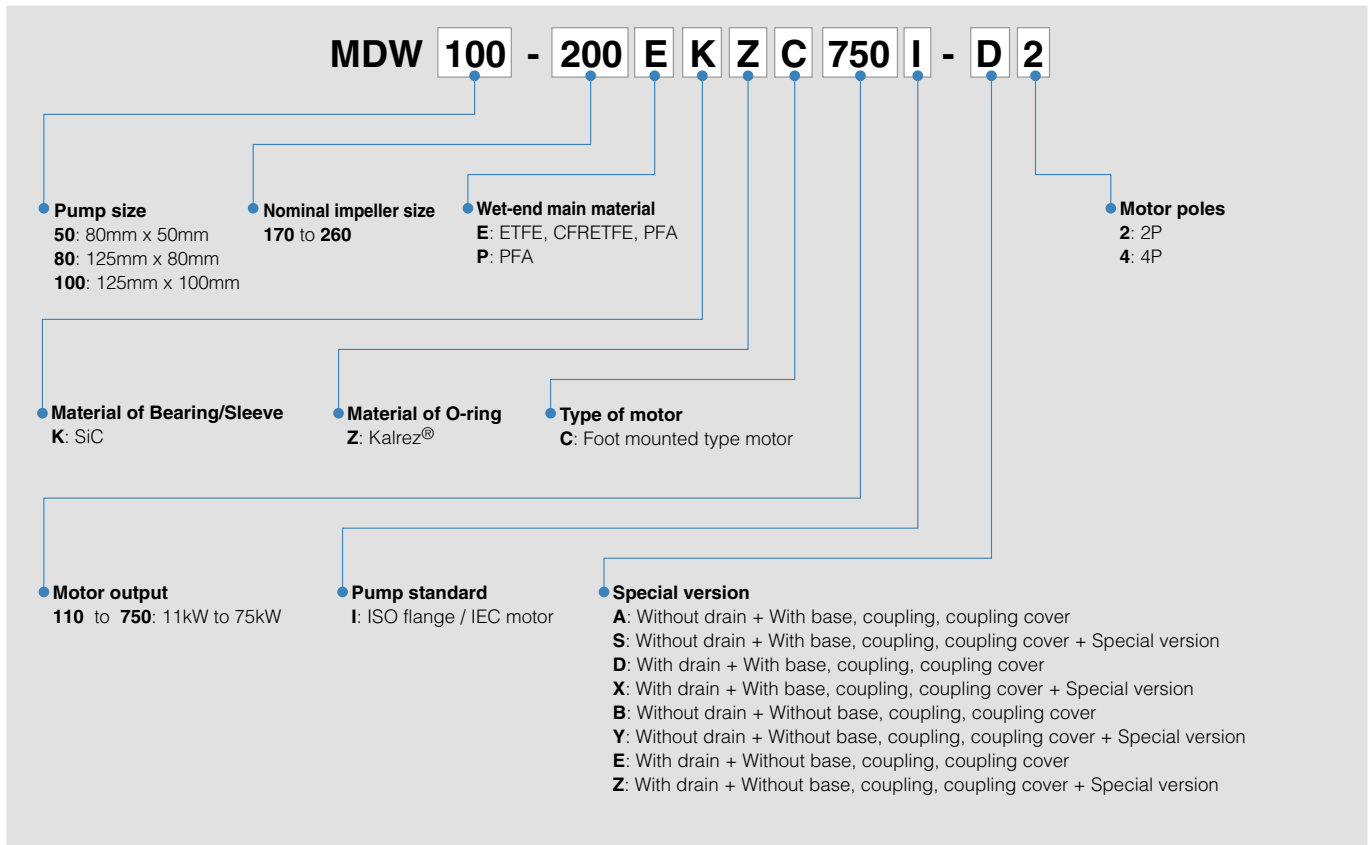
Construction



Wet-end materials

Part number	Part name	MDW50	MDW80, 100
1	Front casing	PFA	ETFE
2	Impeller	PFA	CFRETFE
3	Rear casing		PFA
4	Split plate		PFA
5	Magnet capsule		PFA
6	Bearing		SiC
7	Sleeve		SiC
8	Gasket		PTFE
9	O-ring		Kalrez®

Pump identification



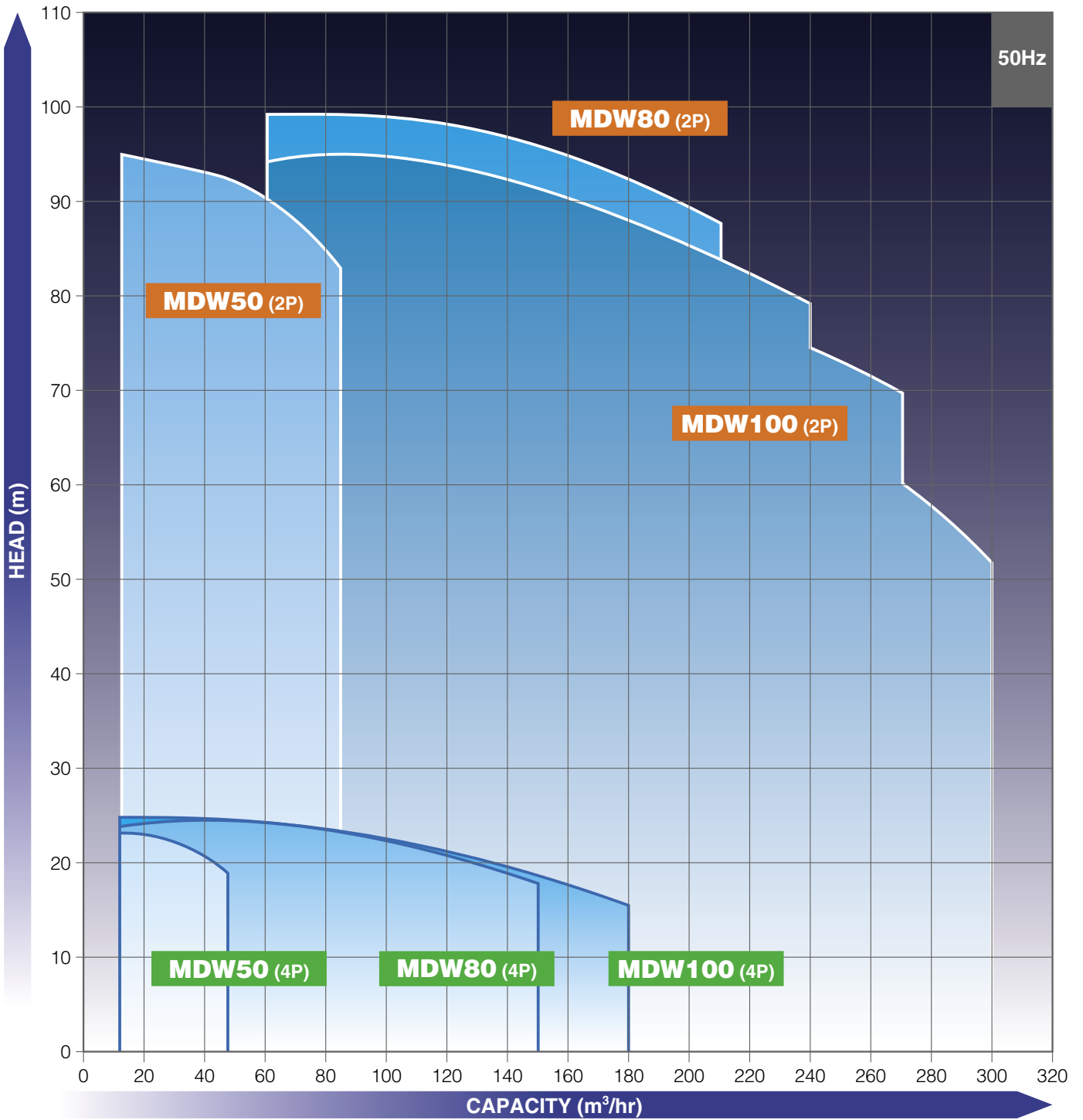
Specification

Model	Pump size Suction X Discharge	Nominal Impeller size	Capacity m ³ /hr (L/min)	Head m	Motor kW	
MDW50	80mm X 50mm	250	50 (833)	80	2P	22, 30, 37, 45, 55, 75
		260	25 (417)	21	4P	11, 15, 18.5, 22, 30, 37
MDW80	125mm X 80mm	250	160 (2667)	80	2P	37, 45, 55, 75
		255	80 (1333)	23	4P	11, 15, 18.5, 22, 30, 37
MDW100	125mm X 100mm	200	200 (3333)	50	2P	37, 45, 55, 75
		235	100 (1667)	21	4P	11, 15, 18.5, 22, 30, 37

Common specification

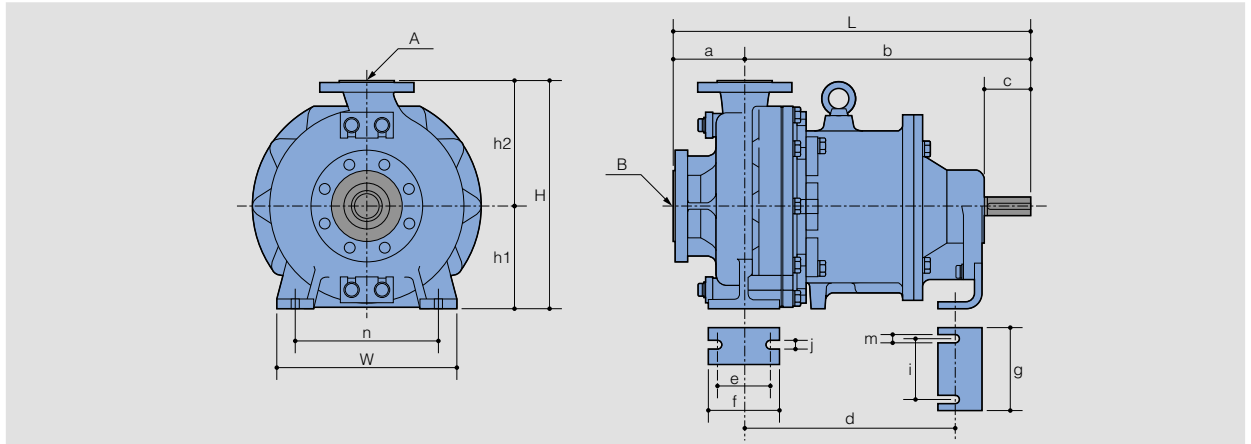
Temperature range of liquid handled	MDW80/100: -10 to 105°C, MDW50: -10 to 120°C
Maximum operating pressure	1.6MPa
Motor	Foot mounted type motor

Performance curves (50Hz)

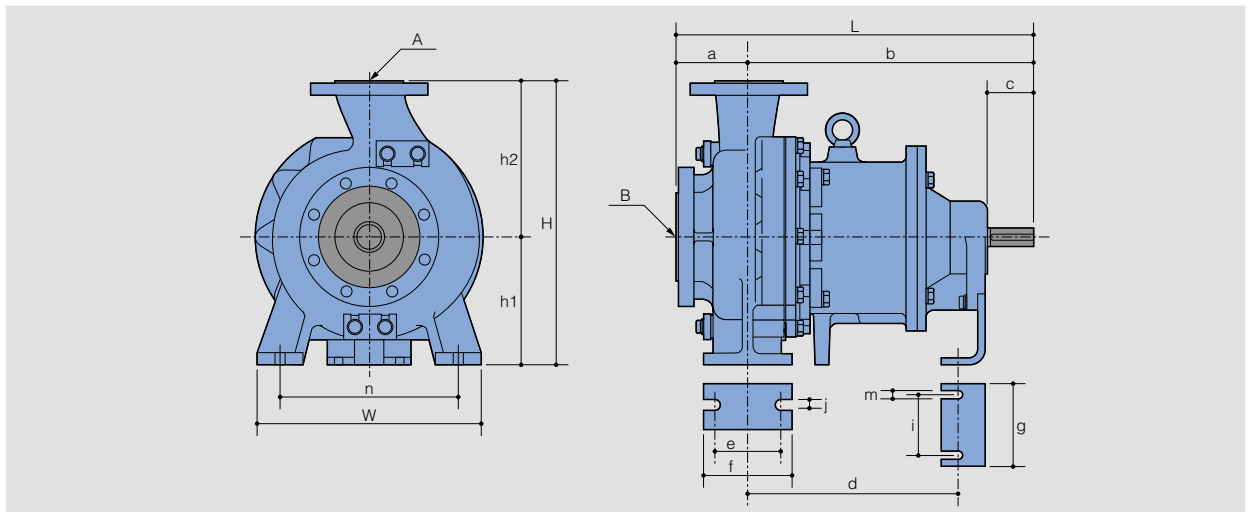


Dimension (mm)

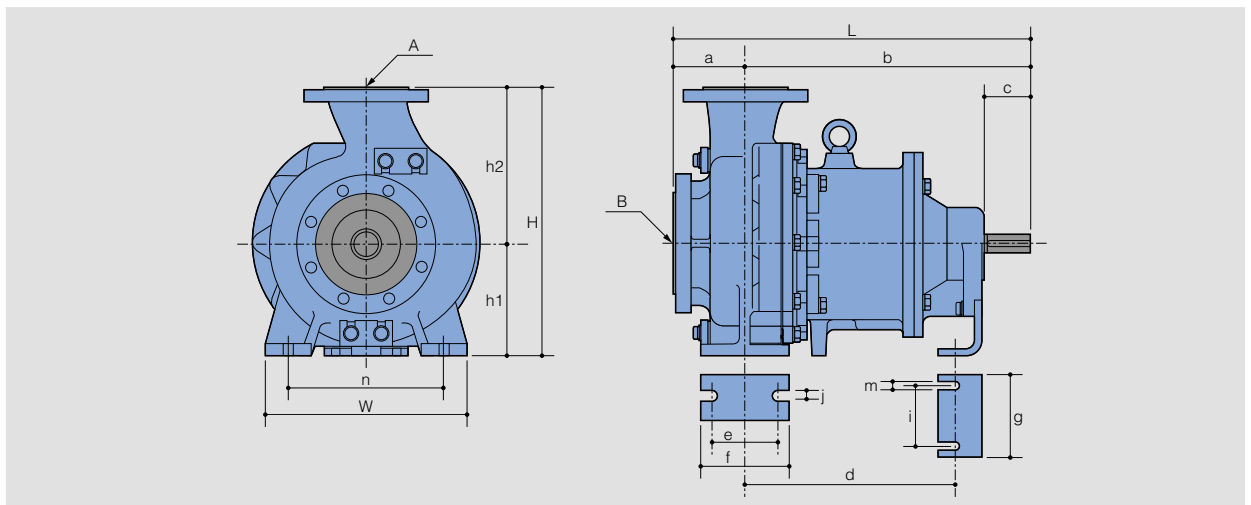
MDW50



MDW80



MDW100



	W	H	L	A	B	a	b	c	d	e	f	g	h1	h2	i	j	n	m
MDW50	320	(405)	(625)	50mm dia.	80mm dia.	125	500	80	370	95	125	150	180	225	110	14	250	14
MDW80	400	(505)	(625)	80mm dia.	125mm dia.	125	500	80	370	120	160	150	225	280	110	18	315	14
MDW100	360	(480)	(625)	100mm dia.	125mm dia.	125	500	80	370	120	160	150	200	280	110	18	280	14

IWAKI Process magnetic drive pump series

MDE SERIES

The most reliable, large-sized magnetic drive pump designed for process use

Specifications

- Max. discharge capacity: 4.0 m³/min
- Max. head: 55m
- Main materials: ETFE, PFA, SiC
- Liquid temp. range: 0 to 100°C

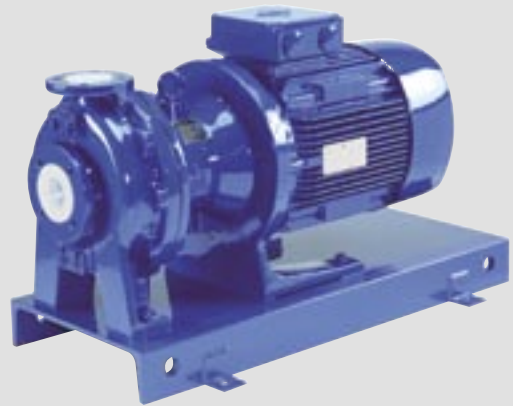


MDM SERIES

Magnetic drive process pumps with dry running capability

Specifications

- Max. discharge capacity: 1.4m³/min
- Max. head: 74m
- Main materials: CFRETFE/PFA
- Liquid temp. range: -20 to 105°C(CFRETFE), -20 to 150°C(PFA)



MXM SERIES

Magnetic drive pumps with an excellent balance of features and performance

Specifications

- Max. discharge capacity: 600L/min
- Max. head: 29m
- Main materials: CFRETFE
- Liquid temp. range: -10 to 105°C



www.iwakipumps.jp

IWAKI CO.,LTD. 6-6 Kanda-Sudacho 2-chome Chiyoda-ku Tokyo 101-8558 Japan TEL : (81)3 3254 2935 FAX : 3 3252 8892

EUROPE / U.S.A.

European office : IWAKI Europe GmbH	TEL: (49)2154 9254 0	FAX: 2154 9254 48
Austria : IWAKI (Austria) GmbH	TEL: (41)26 674 93 00	FAX: 26 674 93 02
Belgium : IWAKI Belgium N.V.	TEL: (32)13 67 02 00	FAX: 13 67 20 30
Denmark : IWAKI Nordic A/S	TEL: (45)48 24 2345	FAX: 48 24 2346
Finland : IWAKI Suomi Oy	TEL: (358)9 27458 10	FAX: 9 27427 15
France : IWAKI France S.A.	TEL: (33)1 69 63 33 70	FAX: 1 64 49 92 73
Germany : IWAKI Europe GmbH	TEL: (49)2154 9254 50	FAX: 2154 9254 55
Holland : IWAKI Holland B.V.	TEL: (31)297 241121	FAX: 297 273902
Italy : IWAKI Italia S.R.L.	TEL: (39)02 990 3931	FAX: 02 990 42888
Norway : IWAKI Norge AS	TEL: (47)66 81 16 60	FAX: 66 81 16 61
Spain : IWAKI Iberica Pumps, S.A.	TEL: (34)943 630030	FAX: 943 628799
Sweden : IWAKI Sverige AB	TEL: (46)8 511 72900	FAX: 8 511 72922
Switzerland : IWAKI (Schweiz) AG	TEL: (41)26 674 93 00	FAX: 26 674 93 02
U.K. : IWAKI Pumps (UK) Ltd.	TEL: (44)1743 231363	FAX: 1743 366507
U.S.A. : IWAKI America Inc.	TEL: (1)508 429 1440	FAX: 508 429 1386

ASIA / OCEANIA

Australia : IWAKI Pumps Australia Pty Ltd.	TEL: (61)2 9899 2411	FAX: 2 9899 2421
China		
Hong Kong : IWAKI Pumps Co., Ltd.	TEL: (852)2607 1168	FAX: 2607 1000
Shanghai : IWAKI Pumps (Shanghai) Co., Ltd.	TEL: (86)21 6272 7502	FAX: 21 6272 6929
Guangzhou : GFTZ IWAKI Engineering & Trading Co., Ltd.	TEL: (86)20 8435 0603	FAX: 20 8435 9181
Beijing : GFTZ Iwaki Engineering & Trading Co., Ltd. (Beijing office)	TEL: (86)10 6442 7713	FAX: 10 6442 7712
Korea : IWAKI Korea Co.,Ltd.	TEL: (82)2 2630 4800	FAX: 2 2630 4801
Malaysia : IWAKIm Sdn. Bhd.	TEL: (60)3 7803 8807	FAX: 3 7803 4800
Singapore : IWAKI Singapore Pte Ltd.	TEL: (65)6316 2028	FAX: 6316 3221
Indonesia : IWAKI Singapore (Indonesia Branch)	TEL: (62)21 6906606	FAX: 21 6906612
Taiwan : IWAKI Pumps Taiwan Co., Ltd.	TEL: (886)2 8227 6900	FAX: 2 8227 6818
Thailand : IWAKI (Thailand) Co.,Ltd.	TEL: (66)2 322 2471	FAX: 2 322 2477
Vietnam : IWAKI Pumps Vietnam Co., Ltd.	TEL: (84)613 933456	FAX: 613 933399

()Country codes

⚠ Caution for safety use: Before use of pump, read instruction manual carefully to use the product correctly.

Actual pumps may differ from the photos. Specifications and dimensions are subject to change without prior notice. For further details please contact us.

⚠ Legal attention related to export.

Our products and/or parts of products fall in the category of goods contained in the Export Trade Control Order Attachment List 1 of Japanese export control regulations, which includes complementary export control items. Please be reminded that export license, which is issued by the Ministry of Economy, Trade, and Industry in Japan could be required when products are exported from Japan.

